

Astrix

wee.no

ELECTRICAL WHEEL BARROW

EWB150
(25201)



ORIGINAL INSTRUCTIONS



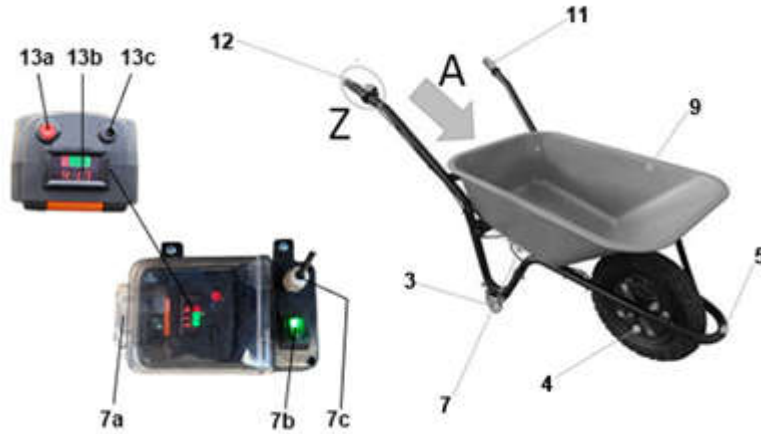
PLEASE READ THIS MANUAL CAREFULLY BEFORE USING THE EQUIPMENT

Rolf Wee transport AS, Frakkagjerdvegen 127 5563 Førresfjorden, Norway

CE

1 TECHNICS

1.1 Components



EWB150			
3	castors with brake	7c	Battery output cable
4	Wheel & Motor Assy	9	Tray
5	Frame front	13	Battery
7	battery box	13a	Battery capacity indicator switch
7a	Battery box door	13b	Battery capacity indicator
7b	ON-OFF switch	13c	Battery charging port

1.2 Delivery content

Pos	Parts name	Qty
1	right Handle	1
2	Reinforce Rib	1
3	castors with brake	2
4	Wheel & Motor Assy	1
5	frame Front	1
6	Tyre	1
7	Battery box with motor controller	1
8	tray Support 2	1
9	tray	1
10	left Handle	1
11	Handle Cap	1
12	Motor control	1
13	battery	1
14	charger	1
15	Cable tie	6
16	Fixation material(as shown)	1
17	manual	1

1.3 Technical data

Rated voltage	40V DC
Battery capacity	6 Ah
Max Battery worktime [h]	5 h
Motorpower	500 W
Motor rated speed	100 min ⁻¹
speed	max. 6,0 km/h
max. load capacity	150kg / 75l
weight (netto/net)	28 kg
Dimension	1470x750x800 mm
Charger:	
Input voltage	110~240 V / 50~60 Hz / AC
Power	66 W
Output	42 V
Charge time	3 h
Protection class II	III
Battery:	
Rated voltage	40 V
Battery capacity	6 Ah
Battery power	240Wh
Weight	1.8kg
Dimension	180x110x80

2 SAFETY

2.1 Intended Use

The machine must only be used for its intended purpose! Any other use is deemed to be a case of misuse. To use the machine properly you must also observe and follow all safety regulations, the assembly instructions, operating and maintenance instructions lay down in this manual.

All people who use and service the machine have to be acquainted with this manual and must be informed about the machine's potential hazards.

The machine is used for:

Transportation of goods within the maximum permissible load capacity.

Any manipulation of the machine or its parts is a misuse, in this case MASCHINEN and its sales partners cannot be made liable for ANY direct or indirect damage.



WARNING

- The removal or modification of the safety components may result in damage to equipment and serious injury!
HIGHEST RISK OF INJURY!

Ambient conditions

The machine may be operated:

humidity	max. 70%
temperature	+5°C to +40°C (+41°F to +104°F)

The machine, especially the battery; may not be exposed to a temperature of about 80 ° C. Do not store in the blazing sun or a long time in the trunk of a car.

Prohibited use:

- The operation of the machine outside the stated technical limits described in this manual is forbidden.
- The operation of the machine without provided protective devices is prohibited.
- The use of the machine not being suitable for the use of the machine and not being certified is forbidden
- The use of the machine not according with the required dimensions is forbidden.
- Any manipulation of the machine and parts is forbidden.
- The use of the machine for any purposes other than described in this user-manual is forbidden.
- It is not allowed to leave the immediate work area during the work is being performed.

2.2 Security instructions

Missing or non-readable security stickers have to be replaced immediately!

The locally applicable laws and regulations may specify the minimum age of the operator and limit the use of this machine!

To avoid malfunction, machine defects and injuries, read the following security instructions!

GENERAL:

- Use the machine only in good enough light to allow a safe operation can be guaranteed.
- In tiredness, decreased concentration or under the influence of alcohol or drugs, the work on the machine is prohibited!
- Caution in slippery conditions - slip hazard - risk of injury. When working, robust and non-slip footwear. Slides / stumble / traps are a major cause of serious injury or death.
- The machine must be operated only by trained persons (knowledge and understanding of this manual), which have no limitations of motor skills compared with conventional workers.
- Keep the machine in use with both hands
- Unauthorized persons, especially children and not trained personnel must be kept away from the running machine!
- If you pass the machine to third, these instructions must be attached to the machine.
- Before the start, after the failure or shock, be sure to check the device and make sure that it is in good condition
- Take special care when work near swimming pools or garden ponds.
- Never use the machine when it is raining or in damp, wet areas
- Unplug battery before all maintenance and settings!

CHARGER:

- The charger is designed exclusively to charge the battery of this machine. Charging other batteries is not permitted.
- Never use the charger in a damp or wet environment
- Disconnect cable connections only by pulling the plug. Pulling on the cable could damage the cable and plug and electrical safety would no longer be guaranteed.
- Never use the charger if the cord, plug or the appliance itself is damaged by external influences. Attach the charger then to the next workshop.
- Do not use the unit near heat sources
- Do not use extension cord to supply power to the charging station
- Do not place metal objects in the area of the charging contacts of the charger.
- Do not open the charger. In case of failure, contact a specialist workshop.
- Use to recharge your battery only with the original charger. Use of other chargers defects may occur or fire hazard.

BATTERY:

- Improper use or the use of damaged batteries leaking vapors. Run to fresh air and seek medical attention in case of complaints. The vapors can irritate the respiratory tract.
- **FIRE HAZARD!** Never charge batteries near acids and flammable materials.
- Charge the battery only in an ambient temperature between 0 ° C to +40 ° C. Leave to cool down after heavy load.
- **EXPLOSIVE!** Protect the battery from heat and fire.
- Use the battery only in an ambient temperature between 0 ° C to +45 ° C.
- **SHORT CIRCUIT!** For disposal, transport or storage, the battery must (plastic bag, box) or the contacts are packed must be taped.
- Never open the battery

2.3 Remaining risk factors

Despite intended use, certain residual risks remain. Due to the design and construction of the machine, hazardous situations may occur which are identified as follows in these operating instructions:

DANGER



A safety instruction designed in this way indicates an imminently hazardous situation which, if not avoided, will result in death or serious injury.

WARNING



Such a safety instruction indicates a potentially hazardous situation which, if not avoided, may result in serious injury or even death.

CAUTION



A safety instruction designed in this way indicates a potentially hazardous situation which, if not avoided, may result in minor or moderate injury.

NOTICE



A safety note designed in this way indicates a potentially dangerous situation which, if not avoided, may result in property damage.

Irrespective of all safety regulations, your common sense and your corresponding technical suitability/training are and will remain the most important safety factor for error-free operation of the machine. **Safe working depends first and foremost on you!**

3 ASSEMBLY

Please check the product contents immediately after receipt for any eventual transport damage or missing parts. Claims from transport damage or missing parts must be placed immediately after initial machine receipt and unpacking before putting the machine into operation. Please understand that later claims cannot be accepted anymore.

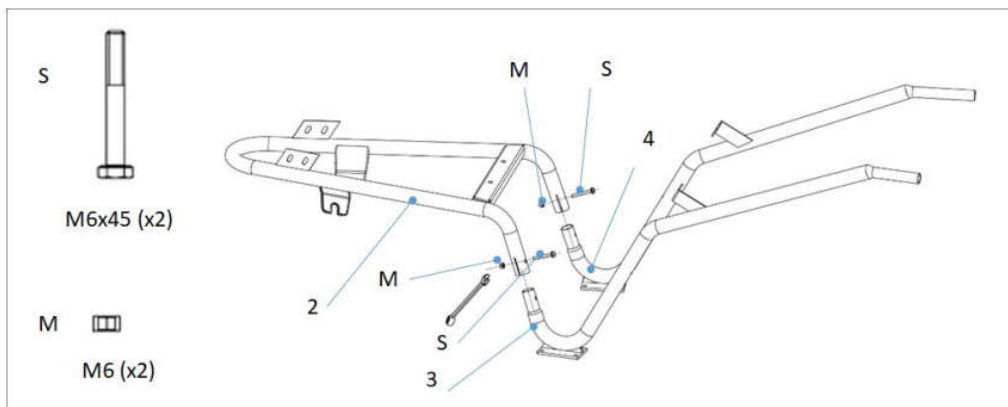
NOTICE



Don't fully tighten all screws until assembly is complete.

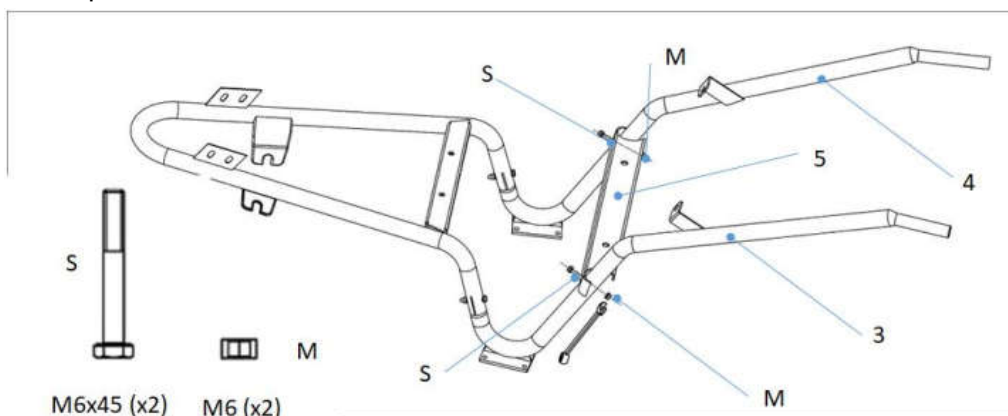
3.1 Assembly-steps

1. step



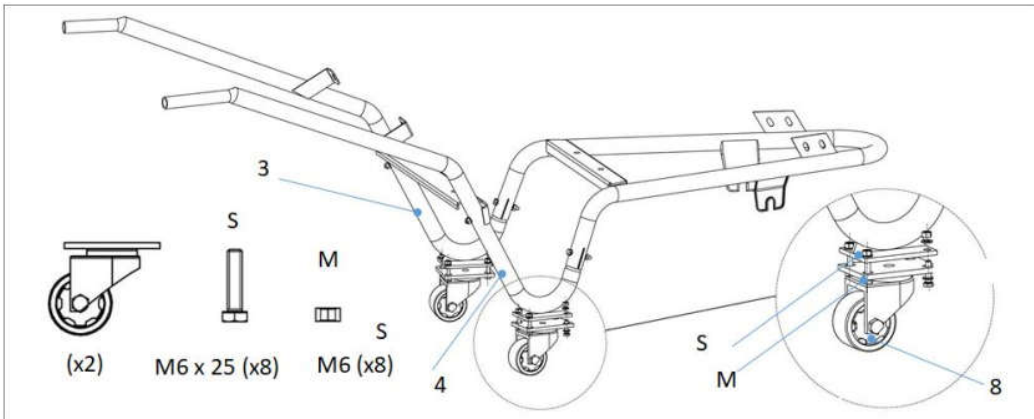
Assemble the left (3) and right handle (4) to the frame (2) using one screw (S) and nut (M) each.

2. step



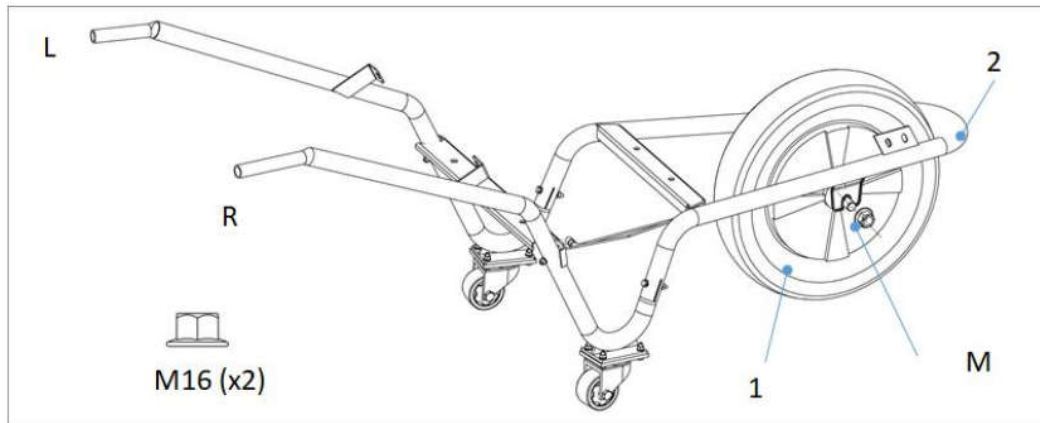
Assemble the support (5) to the handles (3,4) using screws (S) and nut (M).

3. step



Assemble one support wheel (8) to each handle (3,4) using screws (S) and nut (M).

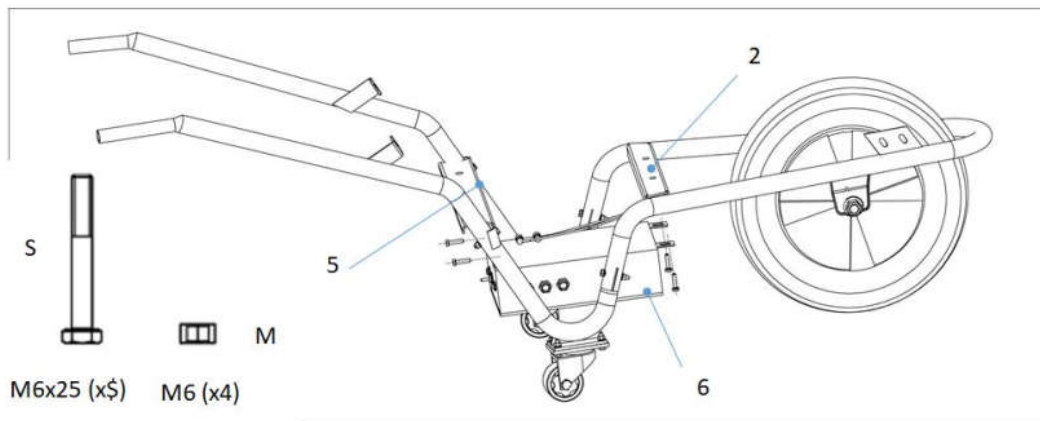
4. step



Mount the motor wheel (1) with 2 nuts (M) on the support frame (2).

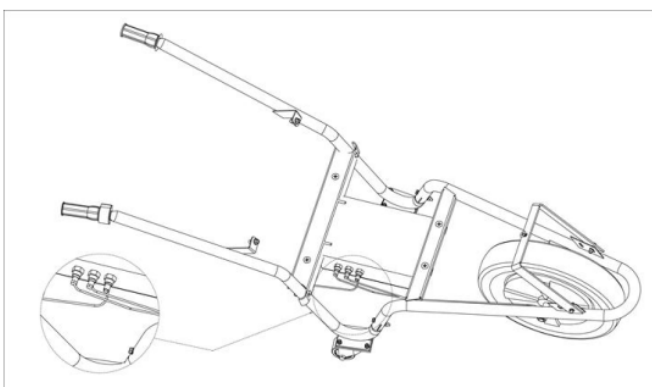
Note:
The wheel must be assembled so that the cable is placed on the right side (R).

5. step



Assemble the battery box (6) to the frame (2) and support (5) using screws (S) and nut (M).

6. step



Assemble the 3 wires to the battery box.

4 OPERATION

Device to be operated in a perfect state only. Inspect the device visually every time it is to be used. Check in particular the safety equipment, electrical controls, electric cables and screwed connection for damage and if tightened properly. Replace any damaged parts before operating the device.

4.1 Operation instructions



WARNING

Unplug battery before all maintenance and settings!





NOTICE

- **Never remove the battery while the machine is running In**
- **case of longer standstill, press the shut-down button Use**
- **the electric motor only with sufficient battery charge**

4.2 Operation

4.2.1 Start electrical support

	<ol style="list-style-type: none"> 1. Press the green to "1:=ON (#7b)"
	<ol style="list-style-type: none"> 1. Before starting, keep EBS Red button is "0=OFF(#12d)", turn the lever anti-clockwisely on the control element to adjust the electrical support. The further the control lever is pressed down the stronger the support. 2. "0"=go front(#12b), "1"=go back(#12a)

Electronic Brake System: This wheelbarrow is equided with the Electronic Brake System (EBS in brief)

<p>EBS</p>	<p>The EBS will work only when</p> <ol style="list-style-type: none"> 1. Button on the battery box is "1:=ON (#7b)" 2. EBS Red button is "1=ON(#12c)"
-------------------	---

Notice: When EBS works, the wheelbarrow will stops gradually. The wheelbarrow will also may go if the user pushes the wheelbarrow by force. So in order to stop the wheelbarrow completely, it's recommend to use the brake on the universal wheel and EBS at the same time.

When dump the cargo, it's recommend to keep EBS on.

When normal working, going forward or reverse, the EBS is necessary to be at "0=off(#12d) position.

4.3 Charger

Charger is integrated in the battery system(#7).

Charging the battery:

1. Connect the charger to the power supply (AC outlet) 230 V / 50 Hz and the charger plug.
2. Charge the battery
3. Once the battery is fully charged (indication on the charger) the charger can be removed.

LED- indication on the control element:

Voltage-display on battery box indicates the status of the battery.

Voltage display shows 42 V	Battery capacity 100%
Voltage display shows 35 V	Battery capacity ~50%
Voltage display shows < 30 V	Please charge the battery (too less capacity left)

5 MAINTENANCE



ATTENTION

**Unplug battery before all maintenance and settings!
Serious injury due to unintentional or automatic activation of the machine!**

The machine does not require extensive maintenance. If malfunctions and defects occur, let it be serviced by trained persons only.

Clean your machine regularly after every usage – it prolongs the machines lifespan and is a prerequisite for a safe working environment.

Repair jobs shall be performed by respectively trained professionals only!

Check regularly the condition of the security stickers. Replace them if required.

Check regularly the condition of the machine.

Store the machine in a closed, dry location

5.1 Maintenance plan

After each workshift:

- Check the cables (tight fit, damage)

5.2 Cleaning

NOTICE

The usage of certain solutions containing ingredients damaging metal surfaces as well as the use of scrubbing agents will damage the machine surface!

Clean the machine surface with a wet cloth soaked in a mild solution

Never use running water or a high pressure cleaner to clean the machine.

- Clean the outer parts with a damp sponge.
- Never clean the electronic parts with water!
- Check the machine and remove the deposits and / or residues with a brush

5.3 Storage

- Clean thoroughly all components before storage.
- Store all components separately in a dry area at not less than -10 ° C.
- Charge the battery fully before storing.

NOTICE

During longer standstill but at least after one month charge the battery.



5.4 Disposal

Do not dispose the machine and the battery in residual waste. Contact your local authorities for information regarding the available disposal options. When you buy at your local dealer for a replacement unit, the latter is obliged to exchange your old.

6 TROUBLE SHOOTING

BEFORE YOU START WORKING FOR THE ELIMINATION OF DEFECTS, UNPLUG THE BATTERY.

Trouble	Possible cause	Solution
No electrical support	· Battery is not charged	· Recharge battery
	· Motor sticks	· Check motor
	· Power switch is damaged	· Check switch
	· Broken or loose cables	· Check cables
No charging of battery	· Loosen cable	· Check cable connection

7 SPARE PARTS

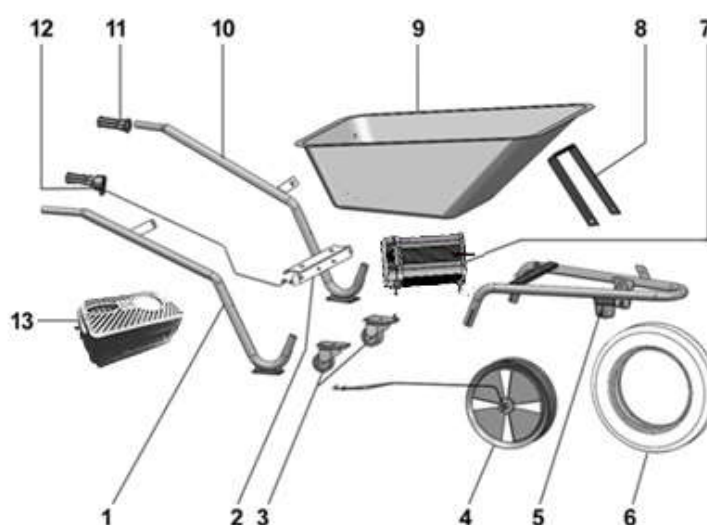
The installation of other than original spare parts voids the warranty!

So you always have to use original spare parts

When you place a spare parts order please use the service formular you can find in the last chapter of this manual. Always take a note of the machine type, spare parts number and partname. We recommend to copy the spare parts diagram and mark the spare part you need.

You find the order address in the preface of this operation manual.

7.1 Exploded view



Pos	Parts name	Qty
1	left Handle	1
2	Reinforce Rib	1
3	castors with brake	2
4	Wheel & Motor Assy	1
5	frame Front	1
6	Tyre	1
7	Battery box (with motor controller)	1
8	tray Support 2	1
9	tray	1
10	left Handle	1
11	Left Handle Cap	1
12	Right handle with motor control	1
13	battery	1

